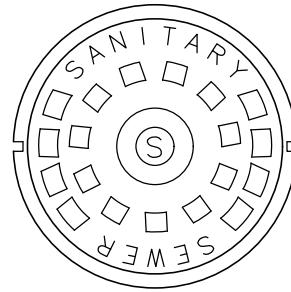
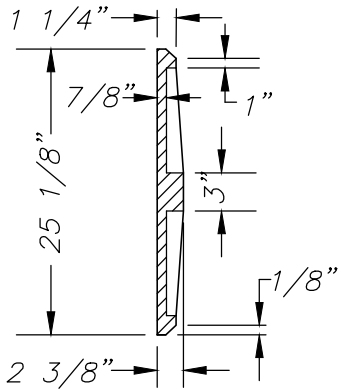


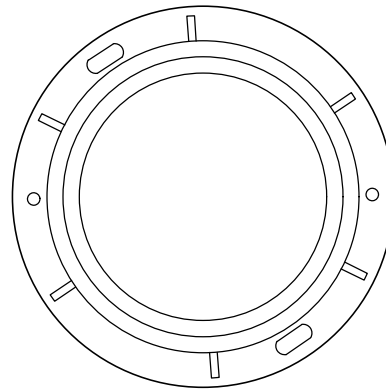
COVER BACK



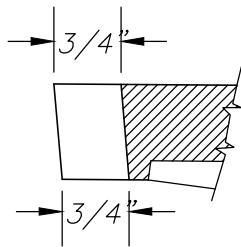
COVER FACE



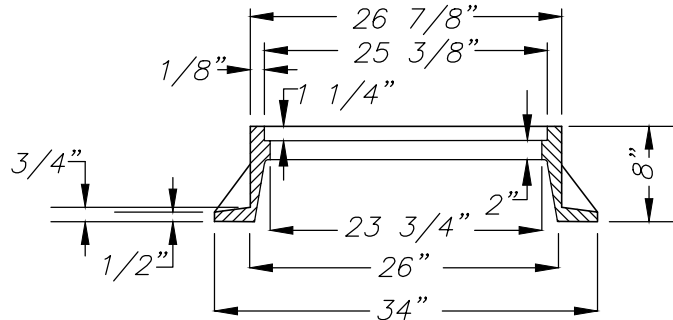
COVER SECTION



FRAME PLAN



(2) TYPE ONE PICKSLOTS  
PICKSLOT DETAIL



FRAME SECTION

## Frame and Cover Private Manhole Detail NTS

MH-2

Standard Specification and Detail for:

*Frame and Cover Private Manhole Detail*

GMD: NA	County: Athens-Clarke	State: Georgia	Date: August, 2019
Drawn by: KFM		The Unified Government of Athens-Clarke County <b>Department of Public Utilities</b> 124 E Hancock Ave Athens, Georgia 30601 Fax: 706-613-3198      Voice: 706-613-3490	
Approved by: GJ			
Scale: AS-SHOWN			

