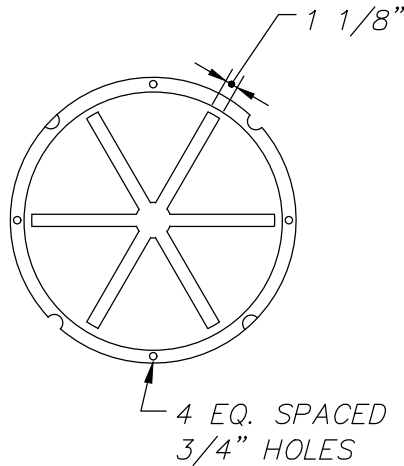
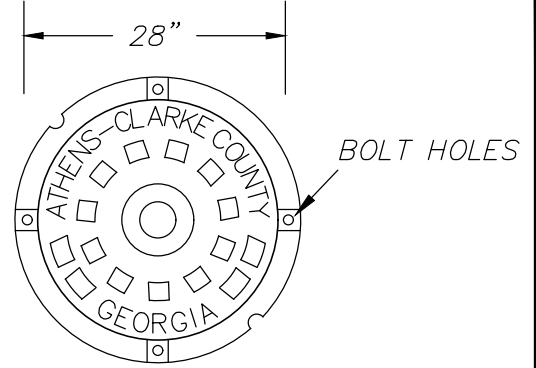


COVER SECTION

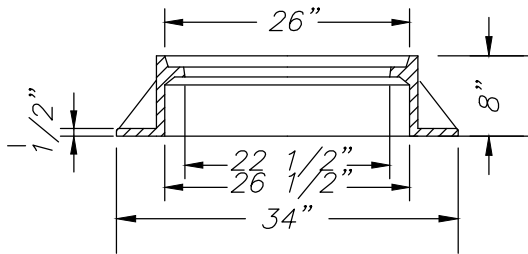


COVER BACK

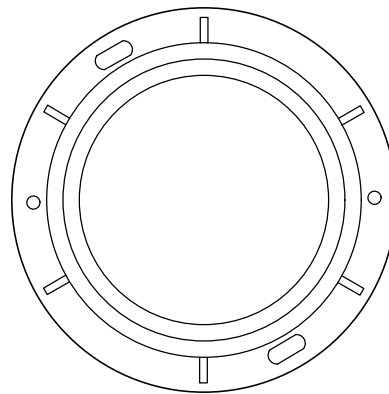


COVER FACE

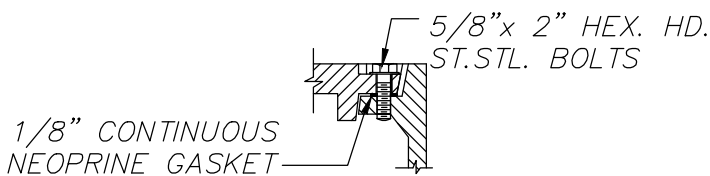
<i>APPROX. WEIGHTS</i>	
FRAME	135 LBS.
COVER	295 LBS.
TOTAL	430 LBS



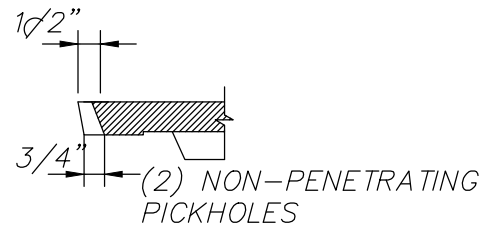
FRAME SECTION



FRAME PLAN



WATERTIGHT DETAIL



PICKSLOT DETAIL

Watertight Frame and Cover Manhole Detail

NTS

MH-3

Standard Specification and Detail for:

Watertight Frame and Cover Manhole Detail

GMD: NA	County: Athens-Clarke	State: Georgia	Date: August, 2019
Drawn by: KFM		The Unified Government of Athens-Clarke County Department of Public Utilities 124 E Hancock Ave Athens, Georgia 30601	
Approved by: GJ			
Scale: AS-SHOWN			
Fax: 706-613-3198		Voice: 706-613-3490	

