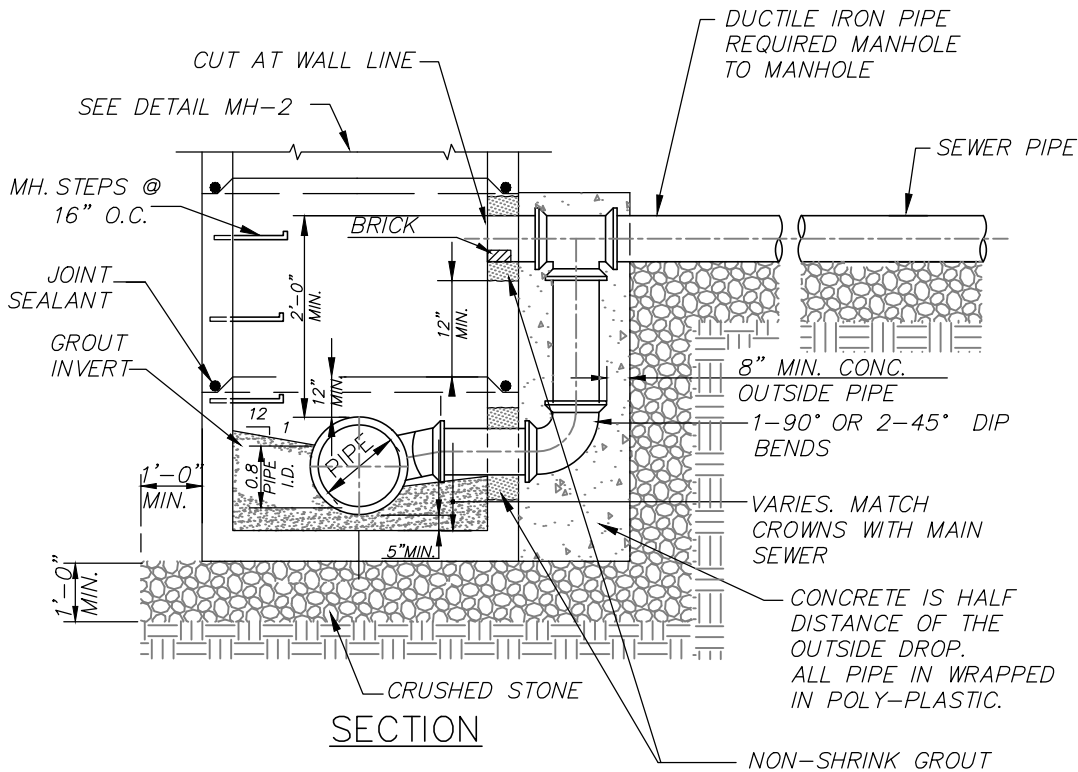


SEWER SIZE	DROP SIZE
SEWER SIZE < 12"	SEWER SIZE
16"-20"	12"



NOTE:
POUR CONCRETE AGAINST UNDISTURBED EARTH OR FORM. IF FORMED, FILL VOID UNDER PIPE WITH CRUSHED STONE.

Manhole Base with Hole Connection

NTS

MH-6

Standard Specification and Detail for:
Manhole Base with Hole Connection

GMD: NA	County: Athens-Clarke	State: Georgia	Date: August, 2019
Drawn by: KFM		The Unified Government of Athens-Clarke County Department of Public Utilities 124 E Hancock Ave Athens, Georgia 30601 Fax: 706-613-3198 Voice: 706-613-3490	
Approved by: GJ			
Scale: AS-SHOWN			

