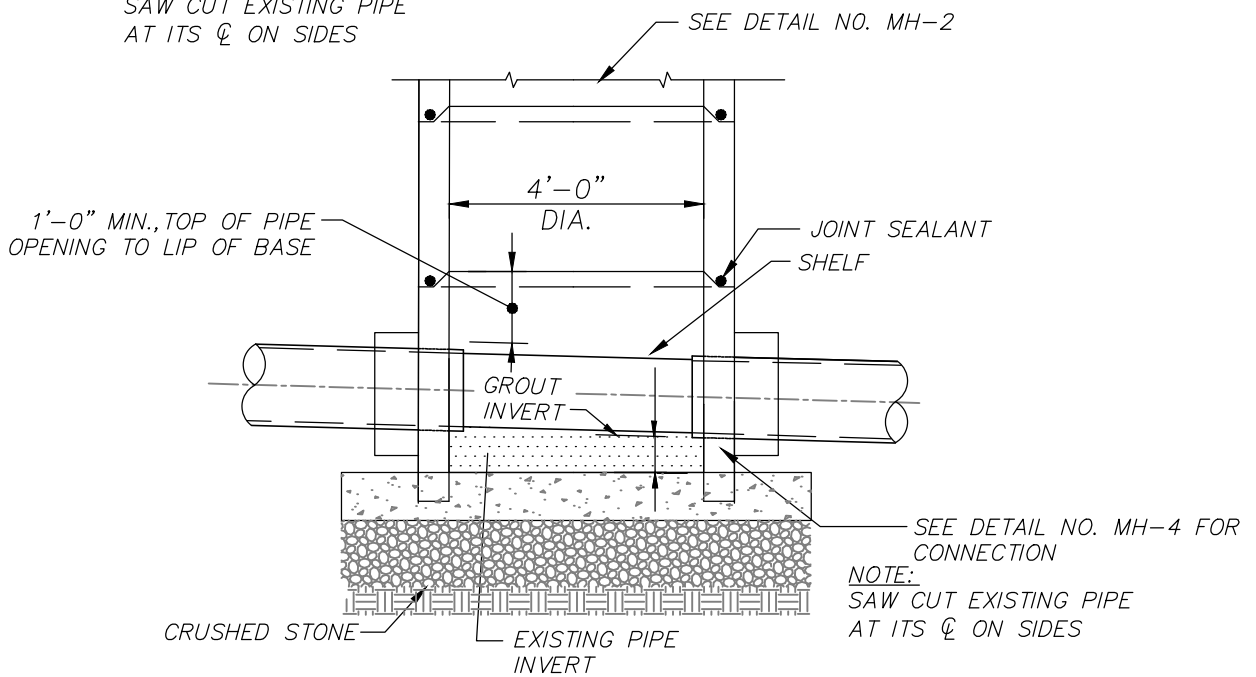


NOTE:
SAW CUT EXISTING PIPE
AT ITS ϕ ON SIDES



NOTE:
SAW CUT EXISTING PIPE
AT ITS ϕ ON SIDES

Doghouse Manhole Over Existing Sewer

NTS

MH-7

Standard Specification and Detail for:

Doghouse Manhole Over Existing Sewer

GMD: NA	County: Athens-Clarke	State: Georgia	Date: August, 2019
Drawn by: KFM	The Unified Government of Athens-Clarke County Department of Public Utilities 124 E Hancock Ave Athens, Georgia 30601 Fax: 706-613-3198 Voice: 706-613-3490		
Approved by: GJ			
Scale: AS-SHOWN			

