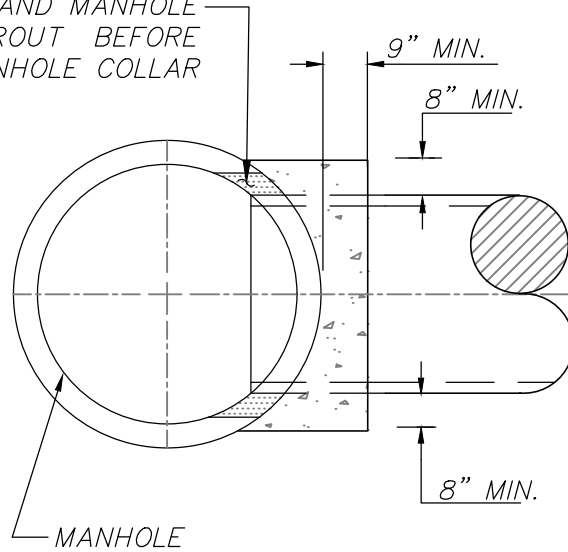
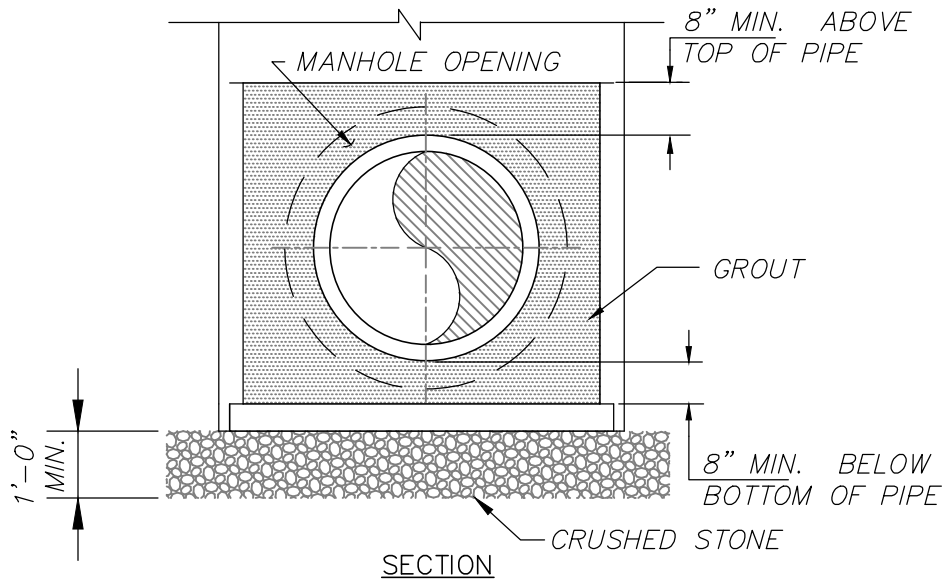


FILL VOID BETWEEN PIPE AND MANHOLE WALL WITH NON-SHRINK GROUT BEFORE FORMING MANHOLE COLLAR



PLAN

MANHOLE COLLARS SHALL BE USED FOR SEWER CONNECTIONS TO MANHOLES:
 1. IF EXIST. MANHOLE IS BRICK.
 2. IF MANHOLE IS CONSTRUCTED OVER EXIST. SEWER.



SECTION

Manhole Collar

NTS

MH-10

Standard Specification and Detail for:

Manhole Collar

GMD: NA County: Athens-Clarke State: Georgia Date: August, 2019

Drawn by: KFM

Approved by: GJ

Scale: AS-SHOWN

The Unified Government of Athens-Clarke County
Department of Public Utilities

124 E Hancock Ave
 Athens, Georgia 30601

Fax: 706-613-3198

Voice: 706-613-3490

