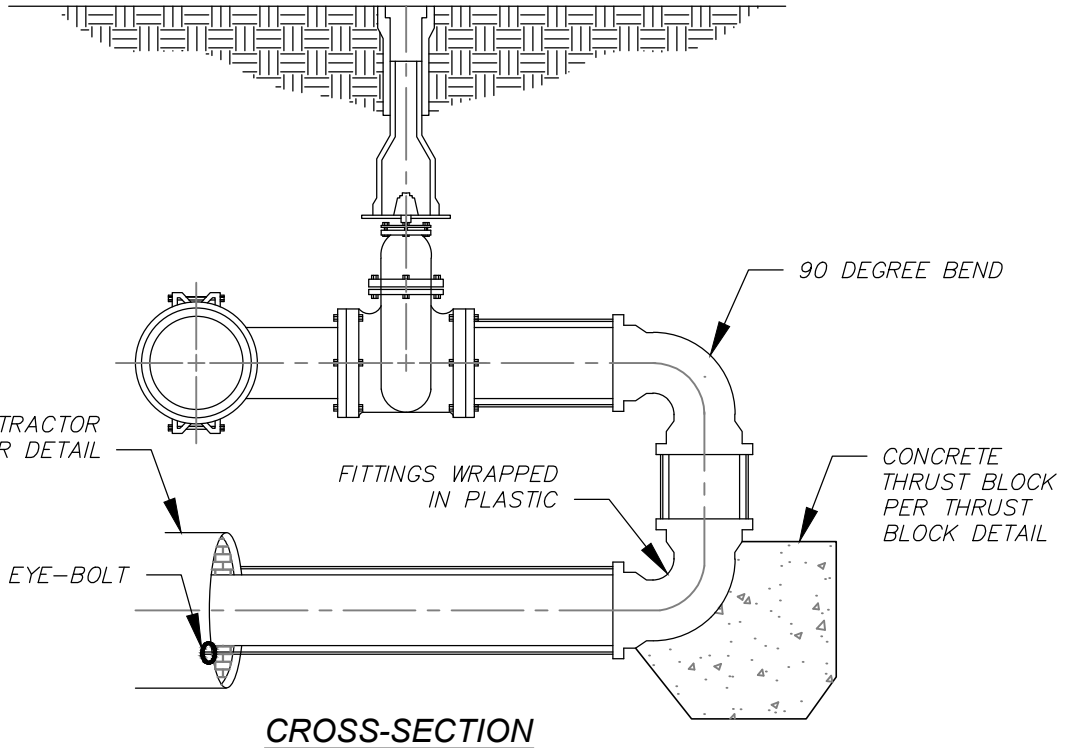
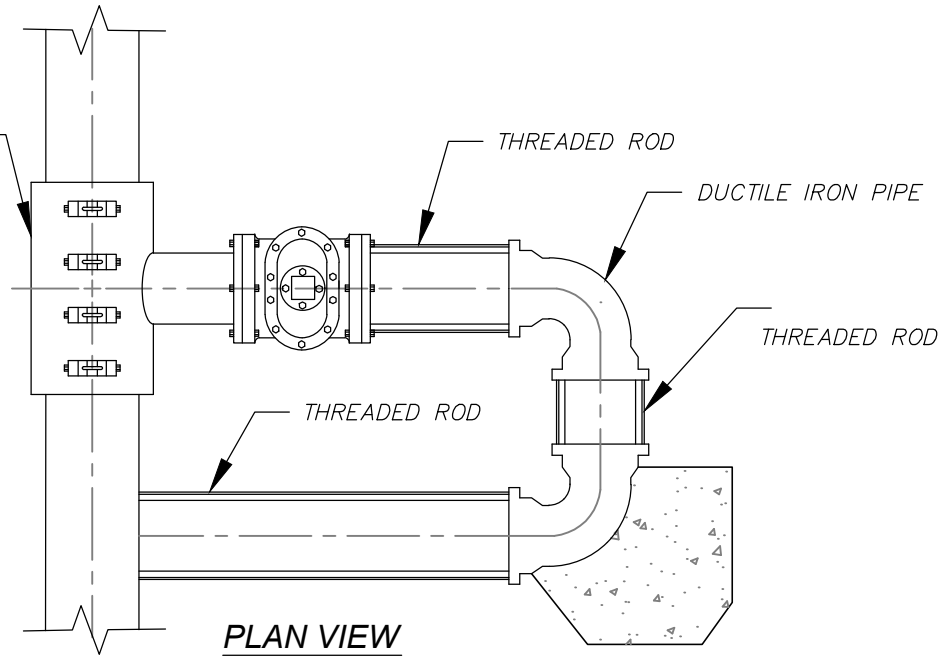


TAPPING SLEEVE
& VALVE BY ACC @
DEVELOPER'S EXPENSE



Back Tap Installation Detail

NTS

W-13

Standard Specification and Detail for:

Back Tap Installation Detail

GMD: NA	County: Athens-Clarke	State: Georgia	Date: August, 2019
Drawn by: KFM		The Unified Government of Athens-Clarke County Department of Public Utilities 124 E Hancock Ave Athens, Georgia 30601 Fax: 706-613-3198 Voice: 706-613-3490	
Approved by: GJ			
Scale: AS-SHOWN			

