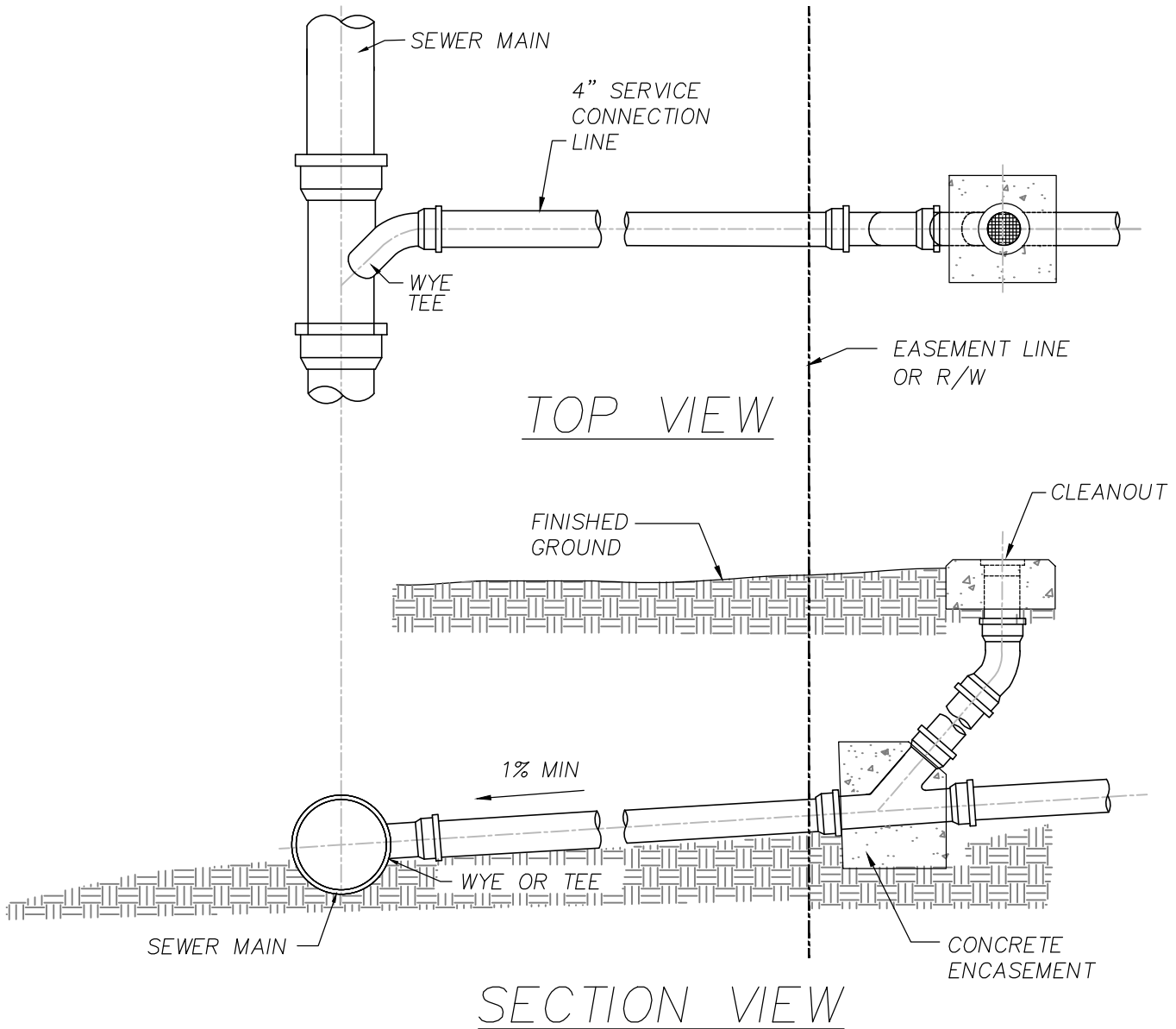


NOTES:

1. CONNECTION TO NEW SEWER SHALL BE WITH TEE WYE WITH SDR 26 PVC.
2. NO TEES ON SEWERS LARGER THAN 18"Ø.
3. SERVICE PIPE MATERIAL SHALL BE SCHEDULE SDR 26 WHEN CONNECTING TO PVC.
4. CONNECTION TO NEW DIP SEWER SHALL BE WITH 8"X4" MJ TEE.
5. SERVICE PIPE MATERIAL SHALL BE DUCTILE IRON WHEN CONNECTING TO DUCTILE IRON SEWER.



Service Connection On New Sewers

NTS

SS-1

Standard Specification and Detail for:

Service Connection On New Sewers

GMD: NA	County: Athens-Clarke	State: Georgia	Date: August, 2019
---------	-----------------------	----------------	--------------------

Drawn by: KFM

Approved by: GJ

Scale: AS-SHOWN

The Unified Government of Athens-Clarke County
Department of Public Utilities

124 E Hancock Ave
 Athens, Georgia 30601

Fax: 706-613-3198

Voice: 706-613-3490

