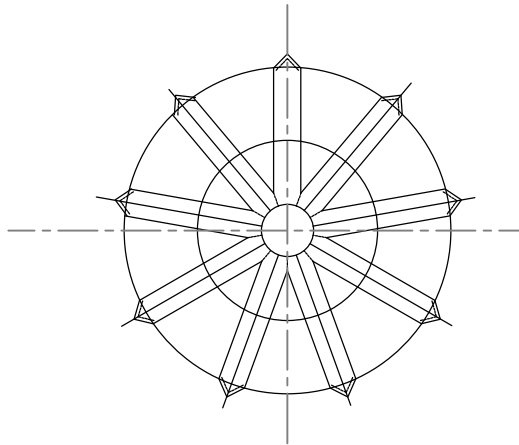


SIDE OR TOP VIEW



END VIEW

SEWER SIZE	MINIMUM MANDREL DIAMETER
8	7.41
10	9.31
12	11.21
15	14.06

EQUAL TO 95% OF BASE INSIDE DIAMETER

## Deflection Test Mandrel

SS-3

Standard Specification and Detail for:

### *Deflection Test Mandrel*

GMD: NA	County: Athens-Clarke	State: Georgia	Date: August, 2019
---------	-----------------------	----------------	--------------------

Drawn by: KFM

Approved by: GJ

Scale: AS-SHOWN

The Unified Government of Athens-Clarke County  
**Department of Public Utilities**

124 E Hancock Ave

Athens, Georgia 30601

Fax: 706-613-3198

Voice: 706-613-3490

